

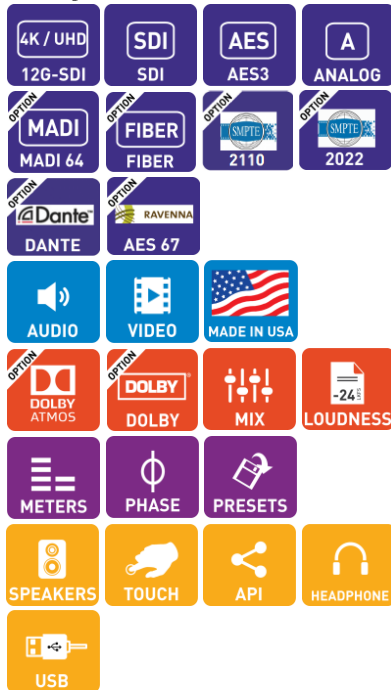
iAM-12G-SDI available with DOLBY ATMOS



Multi-Channel Audio and 12G/4K Video Monitoring & Metering of IP and Baseband Signals



State of the art 12G video and audio monitor with touch screen controls, and APIs for remote management.



Wohler Technologies is extending its ground breaking iAM Series of products with a new multi-channel audio and 12G video monitor that accepts 2 x 12G/3G/HD/SD-SDI signals over BNC. 4 SFP cages allow for a variety of additional monitoring options, including 2110, 2022-6, as well as additional SDI inputs in a variety of combinations listed in the table below. Our Dolby® ATMOS option allows decoding of Dolby Atmos content, along with the familiar Dolby D, D+, E and ED2 content.

Flexible. Adaptable. Future Proof.

iAM-12G-SDI is designed to be easy to operate, yet powerful enough to provide high quality, accessible and easy to use monitoring of the newest signals (12G, 2110, 2022-6) within a compact form factor. Touch screen & front panel controls duplicate previous mature design philosophies of shipping iAM units.

A front mounting USB port is available for simple software updates. Multiple units on the same network can be updated, monitored and controlled via a browser-based user interface that supports fast configuration with authentication that protects critical configurations from unauthorized alteration.

Features/Benefits:

- 2 x 12G (4K) SDI inputs that also monitor 3G/HD/SD-SDI signals as well
- 4 x SFP cages allowing a range of optional connectors and signal processing options, fully listed in the table below
- Optional Dolby® Atmos that also decodes Dolby D, D+ E and ED2 streams for playback, metering and metadata
- Options for Madi, Dante & Ravenna
- Touch screen front panel for easy, intuitive control
- Measure Audio Loudness using ITU-R BS. 1770 or EBU R128 standards - included
- Video monitoring and audio monitoring of up to 16 channels of audio from multiple sources
- Built-in speakers and sub-woofers, headphone jack, USB and Ethernet ports
- Store and retrieve presets via USB or remote software control
- Software upgradeable via USB or network, upgrade multiple units at once
- APIs for remote control

Model	Part ID	Description
iAM-12G-SDI (base unit)	8114-0351	2 RU Audio/Video monitoring and metering. 2 x SDI on BNC. 4 pairs of AES inputs on HD-15 and 16 channels of analog on two DB-25s included.
Options		
OPT-DOLBY D DD+ E	829167	Enable monitoring of Dolby® D, DD+, E and ED2 streams.
OPT-DOLBY ATMOS	829163	Enable monitoring of Dolby® Atmos, as well as Dolby D, DD+, E and ED2 streams.
OPT-MADI/ANLG/TOS	829168	Enable monitoring of 8 Analog channels on DB-25, monitoring of 1 x MADI64 I/P via BNC. Inc. TOSLINK
OPT-DANTE (12G)	829164	Enable monitoring from up to a 64ch Dante™ Input. Includes OPT-MADI/ANLG/TOS
OPT-RAVENNA 64 (12G)	829165	Enable monitoring from up to a 64ch Ravenna™/AES67 Input. Includes OPT-MADI/ANLG/TOS+ NMOS support
SFP's		
SFP-Madi-MM-Fiber	829081	MADI optical fiber receiver; Multi-Mode, LC (fiber) Connectors.
SFP-Madi-SM-Fiber	829082	MADI optical fiber receiver; Single-Mode, LC (fiber) Connectors.
SFP-12G-SDI FIBER	829160	12G, 3G/HD/SD-SDI single mode Optical LC (fiber) video receiver
SFP-SDI	829089	3G/HD/SD-SDI single video receiver w/active loopback, HD-BNC
SFP-SDI-OUTPUT	829083	3G-SDI Transceiver; HD-BNC connectors; I/P and O/P are both SDI
SFP-HDMI-OUTPUT	829155	HDMI/DVI O/P, HDMI 2.0 Type D conn. Video O/P is set at 1080p60 from selected video source.
SFP-2110 w/Ember+	829086	SMPTE 2110 receiver; Multi-Mode 850 NM, LC (fiber) Connectors. SMTPE
SFP-2110 w/NMOS	829086-1	SMPTE 2110 receiver; Multi-Mode 850 NM, LC (fiber) Connectors. SMTPE
SFP-2022	829088	SMPTE 2022 receiver, LC (fiber) Connectors.
SFP-2110 w/Ember+ +2022-6	829087	SMPTE 2110 or 2022-6 receiver; Multi-Mode 850 NM, LC (fiber) connectors.
SFP-2110+2022-6 w/NMOS	829087-1	SMPTE 2110 or 2022-6 receiver; Multi-Mode 850 NM, LC (fiber) connectors.

iAM-12G-SDI

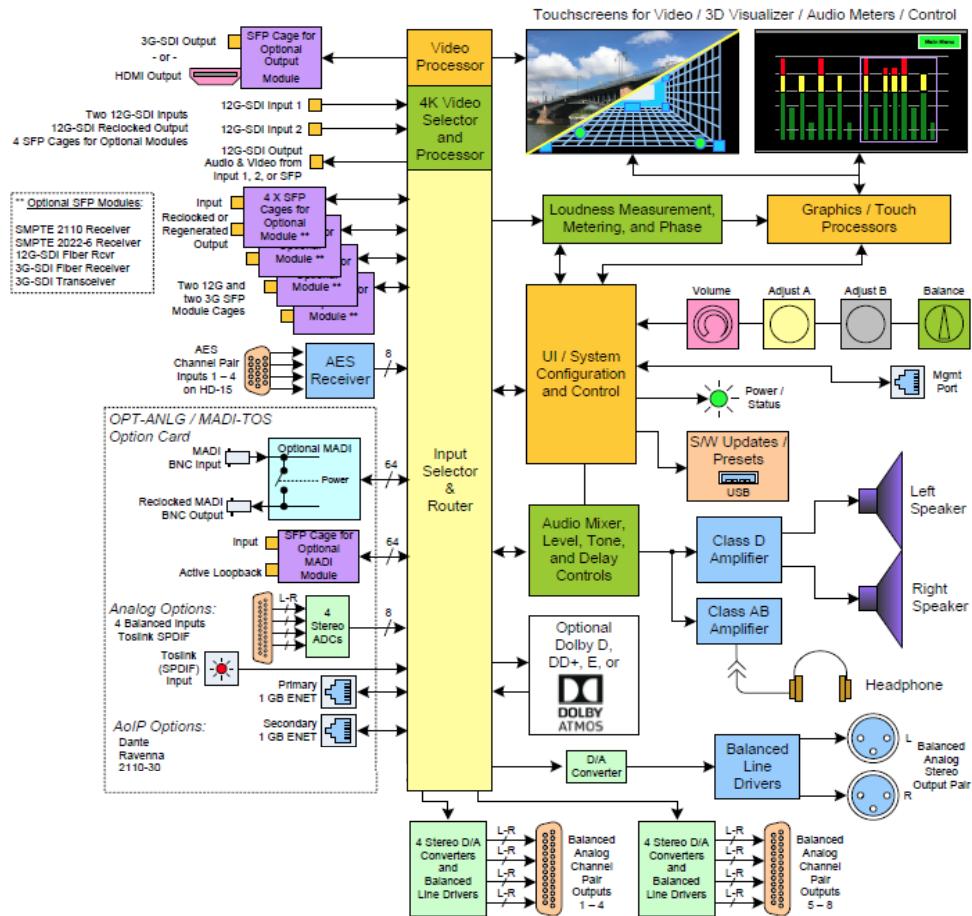


Multi-Channel Audio and 12G/4K Video Monitoring & Metering of IP and Baseband Signals

Rear Panel Shown below with OPT-MADI/ANLG/TOS. When adding Dante or Ravenna/AES67, this option is included.



Block Diagram



Specifications	iAM-12G-SDI
Dimensions (W x H x D)	2RU in standard 19" rack: 19" x 3.5" x 9.5" (483 mm x 89 mm x 242 mm)
Shipping & Net weight/dims	Shipping: 16.0 lbs. (7.3 kg) – 24" x 17" x 8" Net: 11.0 lbs. (5.00 kg) 19" x 9.5" x 3.5"
Power Consumption / Supply	40 Watts typical, 18VDC 100 to 240 VAC ± 10%, 50/60 Hz, CD & UL approved
Display Type / Resolution	4.3" [109 mm] LCD Capacitive Touchscreen x 2; 480H x 272V
Viewing Angle	160 (H) x 160 (V)
Audio Channels	16 Max
Hum and Noise	Better than -75 dB below full output
Peak Acoustic Output	104 dB SPL @ 2 feet
Speaker Power Output	RMS Each Side: 15W Continuous / 30W Peak
Upgrades	Via USB or GUI web interface; Upgrading multiple units available via web interface
Presets	Programmable/nameable. Can be copied from unit to unit via USB or GUI software / Ethernet
Available APIs	Get Available Presets; Get Preset Information; Get Active Preset; Set Mute/Unmute Clusters; Set Solo Cluster; Set Solo Channel; Source Select

Specifications subject to change, errors and omissions excepted
 All trademarks, product names and images are the property of their respective owners
 Any rights not expressly granted herein are reserved. Rev 06/09/2020