

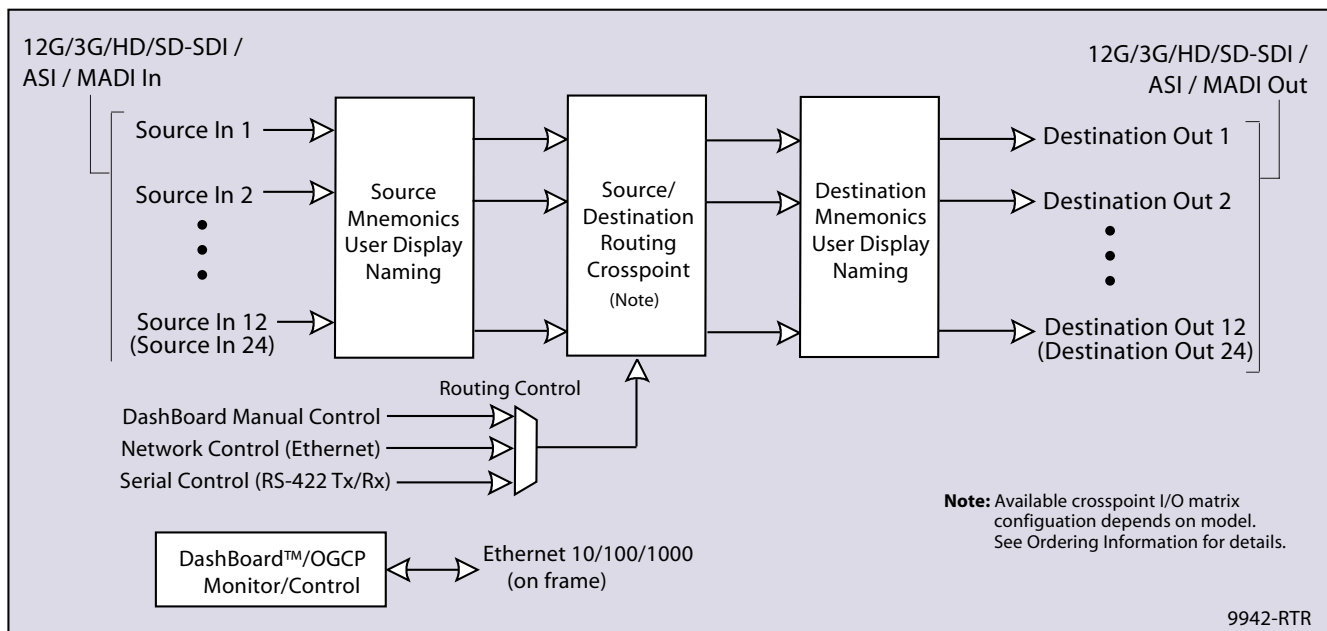
9942-RTR Series • 12G / 3G / HD / SD-SDI / ASI / MADI Routers for openGear® Systems



Cobalt introduces the **9942-RTR** series of SDI/ASI /MADI routers for the openGear® form factor. Using the openGear platform, the 9942-RTR series provides a high-density card-based solution that offers unprecedented flexibility and ease of use and integration that makes it an **exclusive** within the openGear platform.

In addition to standard DashBoard™ support, The 9942-RTR series offer a built-in Ethernet port for IP-based protocols such as Cobalt's ReFLEX and SW-P-08. The 9942-RTR series also offer serial and GPIO interfaces. The 9942-RTR series is available in 24x24 and 12x12 sizes.

DashBoard user matrix provides easy to use manual routing setup. Routing setups can be saved as presets, allowing one-button engage with DashBoard or OGCP-9000 Remote Control Panel. Full user DashBoard™ and Remote Control Panel remote control allows full setup, status, and local control across a standard Ethernet network.



FEATURES

- Exclusive openGear card-based scalable router solution

- Design specifically optimized for 12G support

- High-density design in openGear form offers compact 2RU solution

- RP-168 reference-based switching

- Direct interface compatibility with openGear®, Cobalt Reflex, SW-P-08, and Sierra Video (serial) protocols. Direct compatibility with DNF, PESA PNET, and LAWO SNAP panels (and other panels conforming with supported protocols).

- Supports software upgrades allowing expanded functionality without removing cards and minimal disruption

- DashBoard™ remote control status monitoring and setup/control

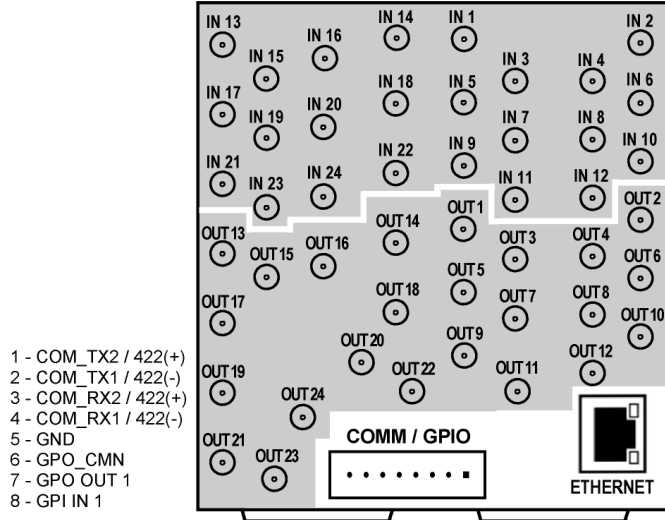
- Five year warranty

9942-RTR Models

- **9942-RTR-12x12-12G** 12G/3G/HD/SD-SDI / ASI / MADI 12x12 Router
- **9942-RTR-24x24-12G** 12G/3G/HD/SD-SDI / ASI / MADI 24x24 Router



9942-RTR Series • 12G / 3G / HD / SD-SDI / ASI / MADI Routers for openGear® Systems



Note: RM20-9942-24x24-A-HDBNC is compatible with 9942-RTR-12x12-12G and 9942-RTR-24x24-12G models. When used with the 12x12 model, IN 13 thru IN 24 and OUT 13 thru OUT 24 ports are NC.

RM20-9942-24x24-A-HDBNC

ORDERING INFORMATION

9942-RTR-12x12-12G 12G/3G/HD/SD-SDI / ASI / MADI 12x12 Router

9942-RTR-24x24-12G 12G/3G/HD/SD-SDI / ASI / MADI 24x24 Router

RM20-9942-24X24-A-HDBNC 20-Slot Frame Rear I/O Module (Double Width). (24) SDI/ASI/MADI coaxial inputs, (24) SDI/ASI/MADI coaxial outputs, COMM/GPIO connector, 100/1000 BaseT Ethernet Port (All coaxial connectors HDBNC.)