

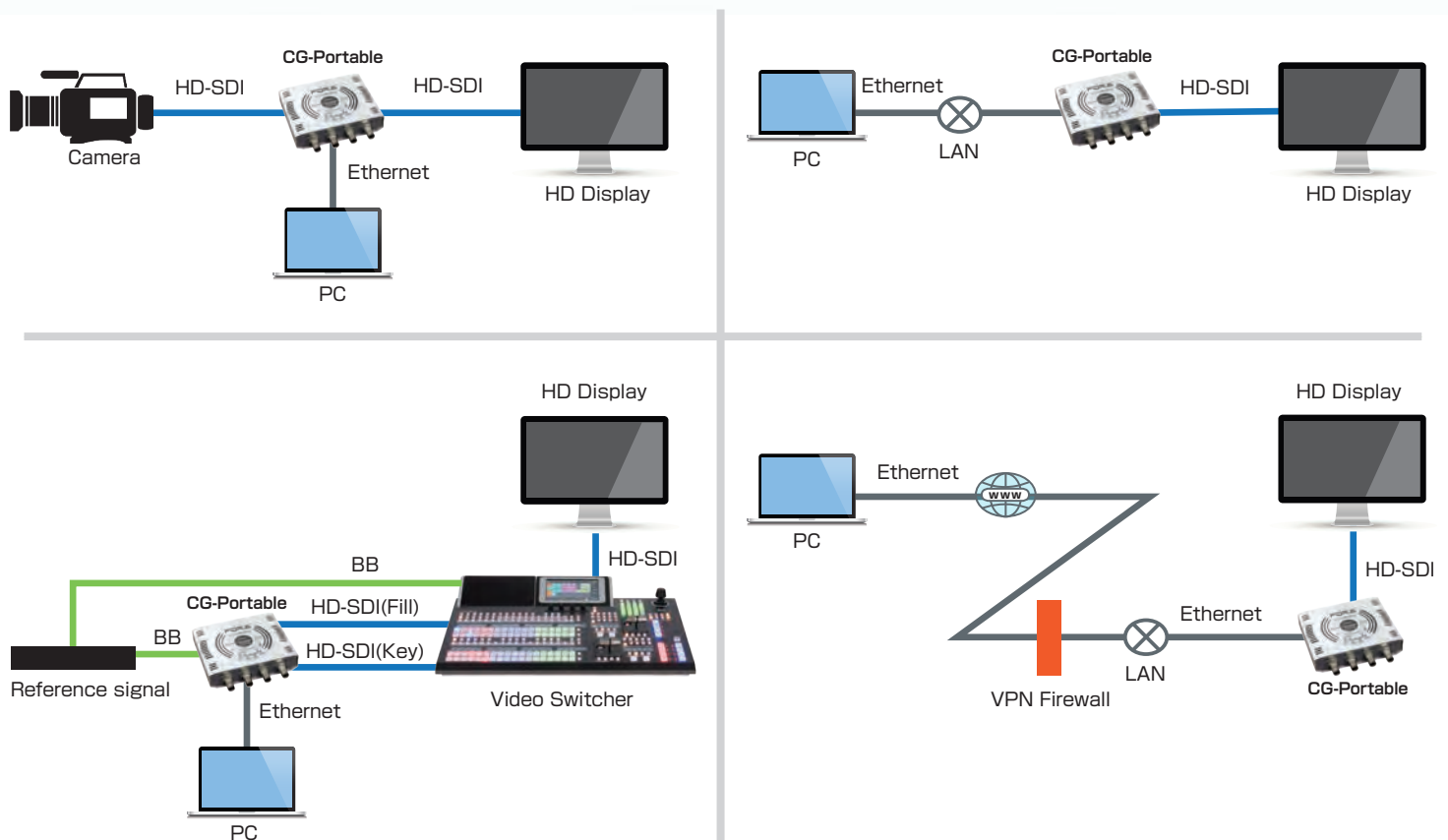
# CG/CHARACTER GENERATOR **CG-PORTABLE**

## Compact and cost-efficient character generator



- Easy setup and control via Web-GUI to quickly get captions up and running
- Fill and key mixing over live background video or uploaded graphics
- Two independent text overlays support horizontal crawl and vertical crawl roll
- Independent multi-lingual support for text overlay
- Static and animated logo insertion
- Timer overlay with up/down count
- Over 70 frames or of graphic playback buffer
- Ideal for a range of signage applications
- CG software developed by Brainstorm

### Examples of use





**FOR.A**<sup>®</sup>  
 INNOVATIONS IN VIDEO  
 and AUDIO TECHNOLOGY  
 Head Office: 3-8-1 Ebisu, Shibuya-ku, Tokyo 150-0013, Japan

**FOR-A Corporation of America Corporate Office/ Service Center:** Tel: +1 714-894-3311  
 11155 Knott Ave., Suite G, H & I, Cypress, CA 90630, U.S.A.

**FOR-A Corporation of America Northeast Office:** Tel: +1 973-220-847  
 1360 Clifton Ave., Clifton, NJ 07012, U.S.A.

**FOR-A Corporation of America Support Center:** Tel: +1 352-371-1505  
 2400 N.E. Waldo Road, Gainesville, FL 32609, U.S.A.

**FOR-A Latin America and the Caribbean Miami Office:** Tel: +1 657-600-5759

**FOR-A Latin America and the Caribbean Sao Paulo Office:** Tel: +55 11-99913-3751

**FOR-A Europe S.r.l.:** Tel: +39 039-916-4811  
 Via Volturmo, 37, 20861 Brugherio MB, Italy

**FOR-A UK Limited:** Tel: +44 (0)20-3044-2935  
 Trident Court, 1 Oakcroft Road, Chessington, KT9 1BD, UK

ISO 9001 and 14001 certified  
 (Sakura R&D)  
[www.for-a.com](http://www.for-a.com)

**FOR-A Italia S.r.l.:** Tel: +39 039-881-086/103  
 Via Volturmo, 37, 20861, Brugherio MB, Italy

**FOR-A Corporation of Korea:** Tel: +82 (0)2-2637-0761  
 1007, 57-5, Yangsan-ro, Yeongdeungpo-gu, Seoul 150-103, Korea

**FOR-A China Limited:** Tel: +86 (0)10-8721-6023  
 1618 Huateng Building, No. 302, 3 District, Jinsong, Chaoyang, Beijing 100021, China

**FOR-A Middle East-Africa Office:** Tel: +971 (0)4-551-5830  
 Dubai Media City, Aurora Tower, Office 1407, P.O. Box 502688, Dubai, UAE

**FOR-A India Private Limited:** Tel: +91 22-2673-3623  
 2nd Floor, Valecha Chambers, Link Road, Andheri (W), Mumbai 400053, India

**FOR-A South East Asia Office:** Tel: +852 2110-1352  
 Studio 09, Rm. A1, 3/F., Phase 1, Hang Fung Ind. Bldg., 2G Hok Yuen St., Hung Hom, Hong Kong